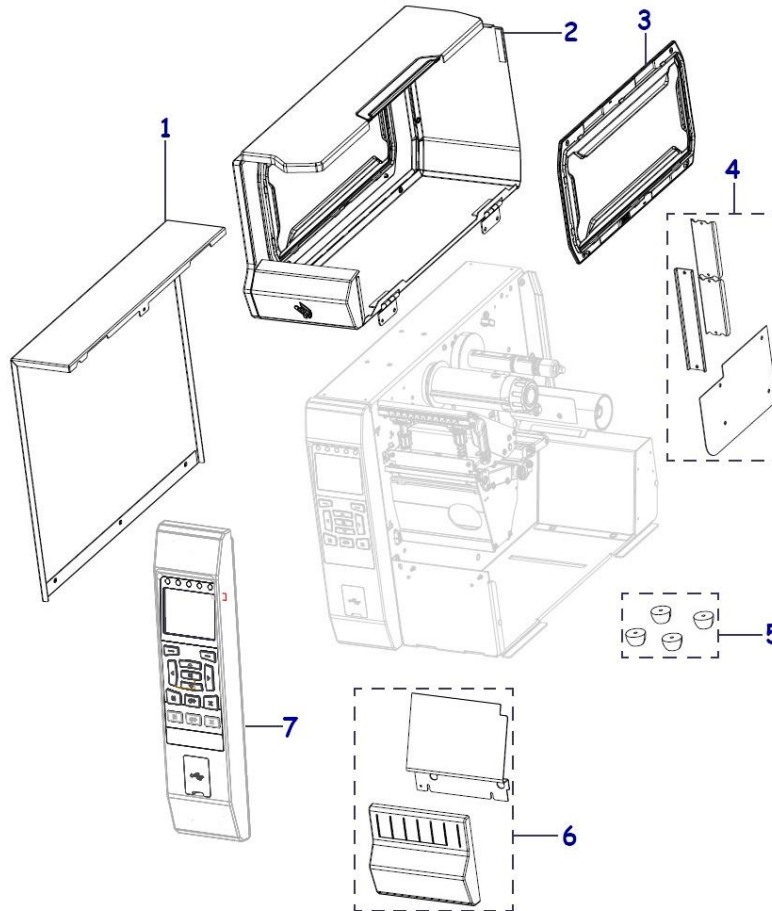
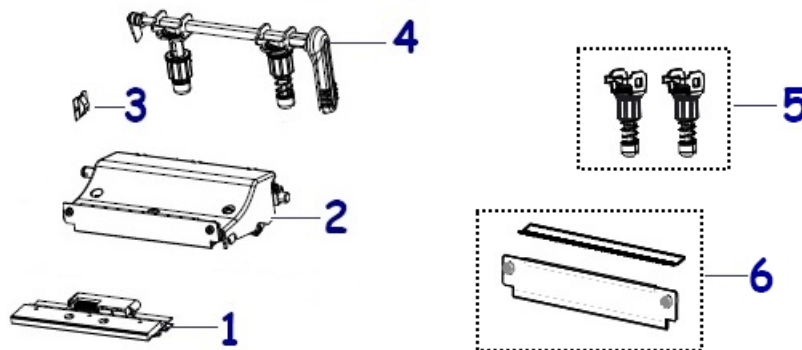


Outer Casing



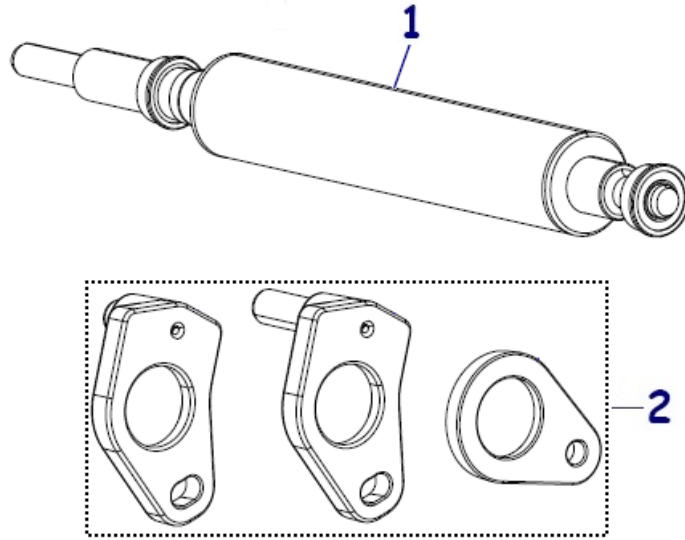
Item Number	Description	Part Number	Quantity
1	Electronics Cover ZT600 Series	P1083320-004	1
2	Media Cover (includes window) ZT610	P1083320-005	1
2	Media Cover (includes window) ZT620	P1083320-006	1
3	Window for the Media Cover ZT600 Series	P1083320-007	1
4	Covers for Options ZT600 Series	P1083320-092	1
5	Feet for the Printer ZT600 Series	P1083320-095	12
6	Trim Panels ZT610	P1083320-008	1
6	Trim Panels ZT620	P1083320-009	1
7	Standard Control Panel ZT610	P1083320-001	1
7	Standard Control Panel ZT620	P1083320-108	1
7	Touch Screen Control Panel ZT610	P1083320-122	1
7	Touch Screen Control Panel ZT620	P1083320-123	1
	Covers for the Touch Screen Control Panel (Qty of 3)	P1083320-125	3
	Cover for the USB Port ZT600 Series	P1083320-003	3

Print Mechanism



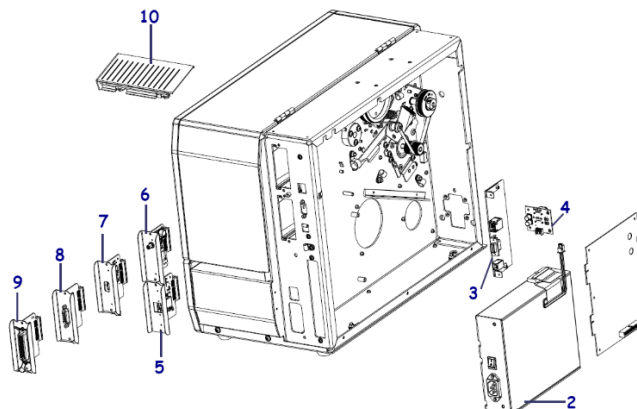
Item Number	Description	Part Number	Quantity
1	Printhead 203 dpi ZT610	P1083320-010	1
1	Printhead 300 dpi ZT610	P1083320-011	1
1	Printhead 600 dpi ZT610	P1083320-012	1
1	Printhead 203 dpi ZT620	P1083320-015	1
1	Printhead 300 dpi ZT620	P1083320-016	1
2	Print Mechanism Hardware (includes printhead cables and ground contact) ZT610	P1083320-022	1
2	Print Mechanism Hardware (includes printhead cables and ground contact) ZT620	P1083320-023	1
	Printhead Mounting Screw (Qty 5) ZT600 Series	P1083320-112	5
3	Ground Contact ZT600 Series	P1083320-024	1
4	Pivot Bar and Toggle Assemblies ZT610	P1083320-027	1
4	Pivot Bar and Toggle Assemblies ZT620	P1083320-028	1
5	Toggle Assemblies Only (Qty of 2) ZT600 Series	P1083320-029	2
	Ruler for Toggle Position ZT610	P1083320-025	1
	Ruler for Toggle Position ZT620	P1083320-026	1
6	Ribbon Strip Plate and Static Brush ZT610	P1083320-030	1
6	Ribbon Strip Plate and Static Brush ZT620	P1083320-031	1

Platen Roller



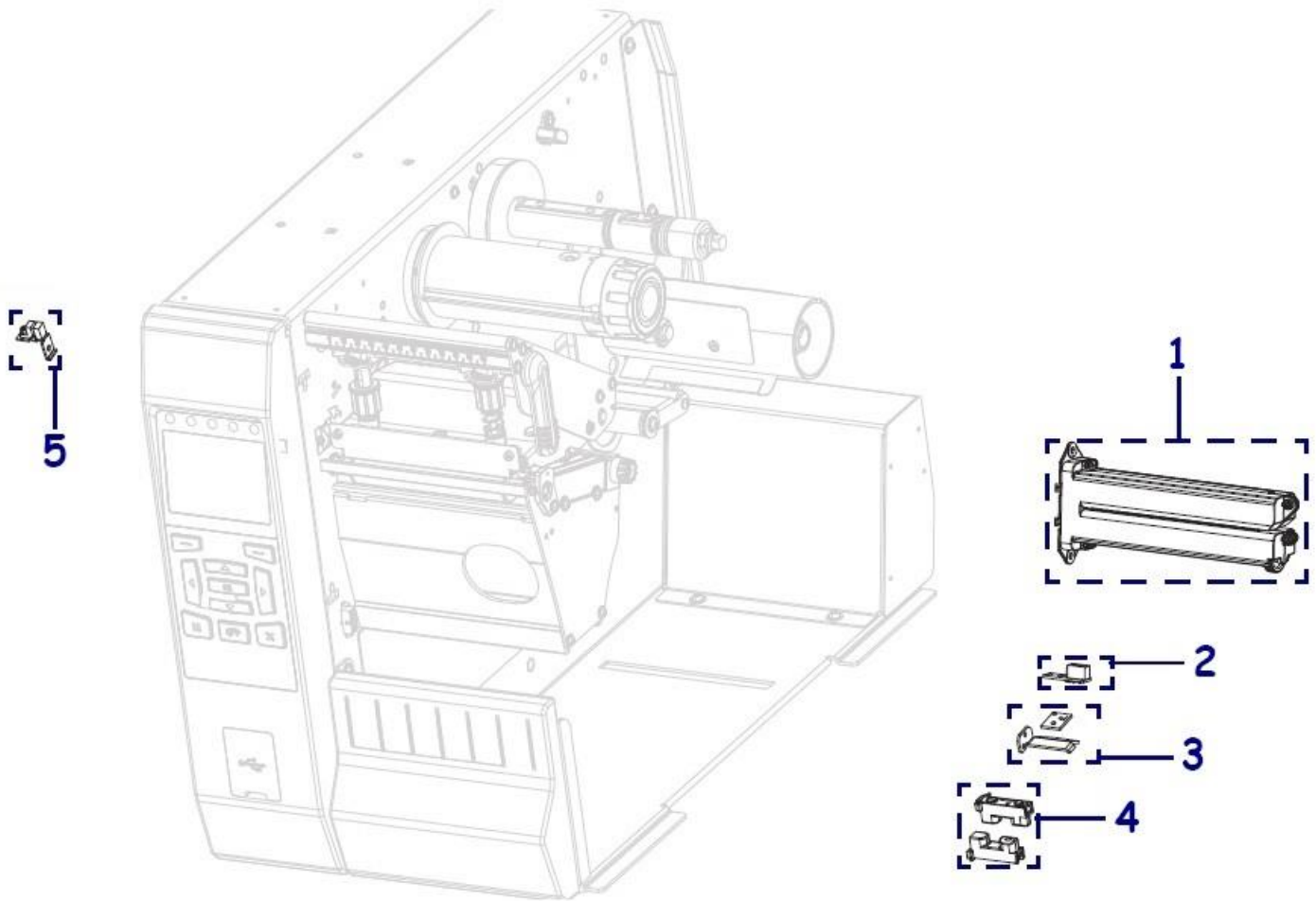
Item Number	Description	Part Number	Quantity
1	Platen Roller ZT610	P1083320-032	1
1	Platen Roller ZT620	P1083320-033	1
2	Retainers for Roller Bearings ZT600 Series	P1083320-034	1

Electronics



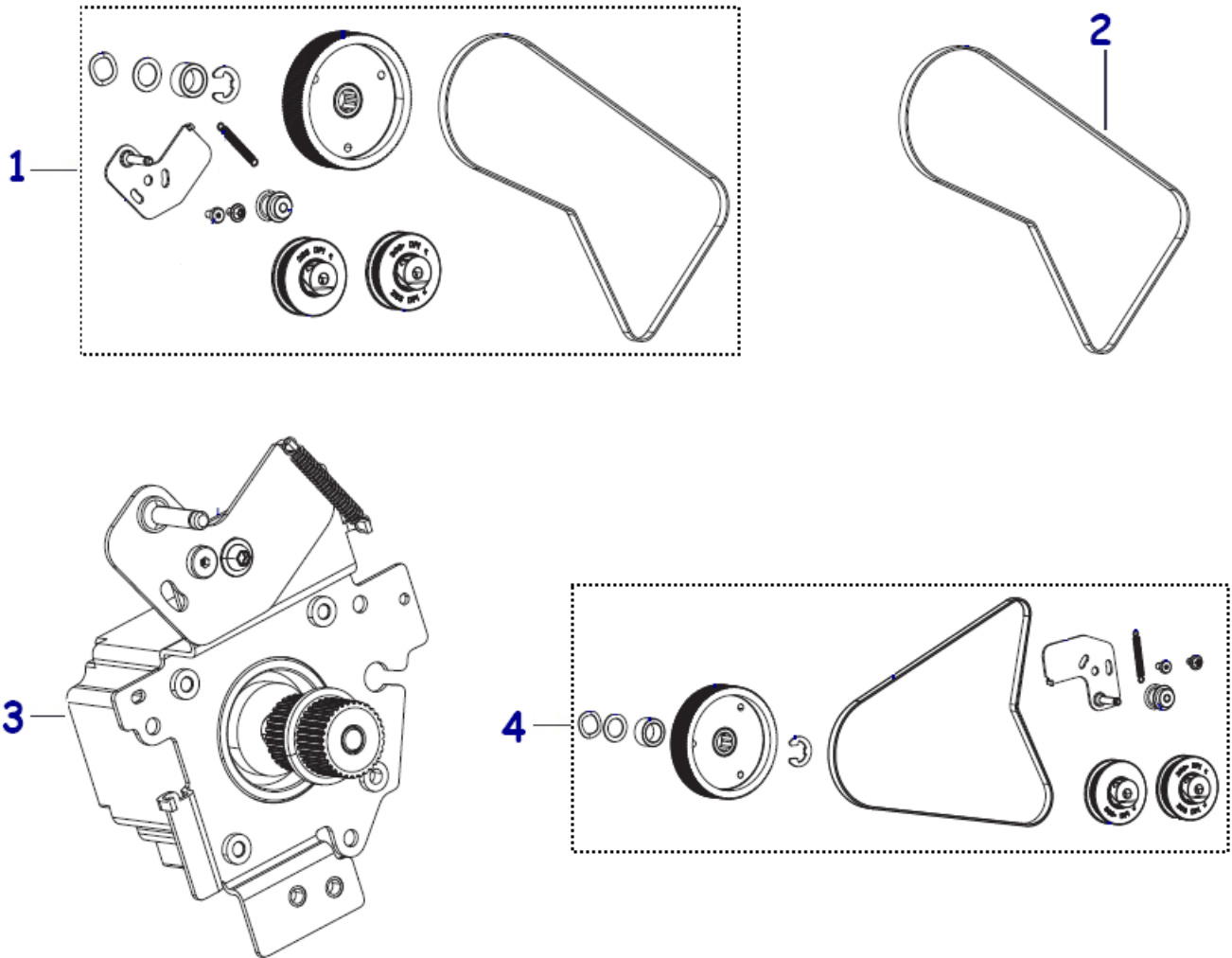
Item Number	Description	Part Number	Quantity
1	Main Logic Board ZT600 Series	P1083320-124	1
2	Power Supply ZT600 Series	P1083320-043	1
3	Connectivity PCBA ZT600 Series	P1083320-036	1
4	USB PCBA & Cover ZT600 Series	P1083320-045	1
5	Internal Print Server IPv4 (Ethernet) ZT600 Series	P1083320-039	1
6	Zebranet Wireless Card 802.11ac USA and Canada ZT600 Series	P1083320-037A	1
6	Zebranet Wireless Card 802.11ac Japan ZT600 Series	P1083320-037B	1
6	Zebranet Wireless Card 802.11ac All Countries except USA, Canada and Japan ZT600 Series	P1083320-037C	1
	Wi-Fi Replacment Antenna for 802.11ac and n	P1037974-053	1
	Magnetic Mount for Wi-Fi Antenna (antenna not included)	39518M	1
7	USB Host Card ZT600 Series	P1083320-094	1
8	Applicator Interface Card 5V-24V ZT600 Series	P1083320-038	1
9	Parallel Port Card ZT600 Series	P1083320-040	1
10	RFID Upgrade USA and Canada ZT610	P1083320-041A	1
10	RFID Upgrade Japan ZT610	P1083320-041B	1
10	RFID Upgrade All Countries except USA, Canada and Japan ZT610	P1083320-041C	1
10	RFID Upgrade USA and Canada ZT620	P1083320-102A	1
10	RFID Upgrade Japan ZT620	P1083320-102B	1
10	RFID Upgrade All Countries except USA, Canada and Japan ZT620	P1083320-102C	1
	Replacement RFID Hardware and Cables ZT600 Series	P1083320-042	1
	External PrintServer IPv6 ZT600 Series	P1000219	1
	Electronics Cables ZT600 Series (various power and data cables, does NOT include printhead cables)	P1083320-046	1
	USA Power Cord	46693	1
	Europe Power Cord	46629	1
	UK Power Cord	46637	1
	Japan Power Cord	37609	1
	China Power Cord	47612	1

Sensors



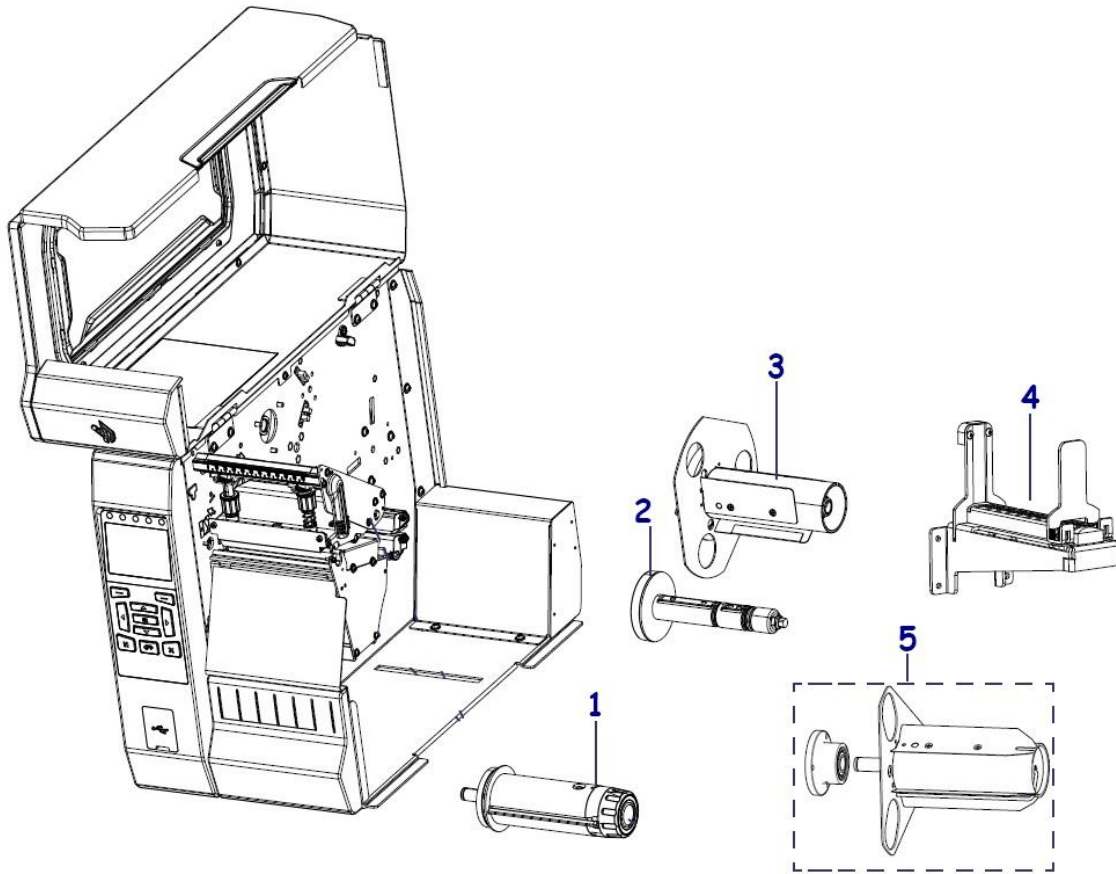
Item Number	Description	Part Number	Quantity
1	Media Sensor ZT600 Series	P1083320-047	1
2	Reflective Sensor (black mark sensor) ZT600 Series	P1083320-048	1
3	Ribbon Out Sensor ZT600 Series	P1083320-051	1
4	Take Label Sensors ZT600 Series	P1083320-052	1
5	Head Open Sensor ZT600 Series	P1083320-053	1

Drive System



Item Number	Description	Part Number	Quantity
1	Main Drive System ZT600 Series (includes pulleys and belt for all dpi)	P1083320-054	1
2	Drive Belt for the Main Drive System or Rewind Drive System (works for all dpi) ZT600 Series	P1083320-056	1
3	Drive Motor with Pulley Assembly (works for all dpi) ZT600 Series	P1083320-057	1
	Idler Pulleys (Qty of 5) ZT600 Series	P1083320-055	1
4	Rewind Drive System (includes pulleys and belt for all dpi) ZT600 Series	P1083320-058	1

Media and Ribbon Spindles



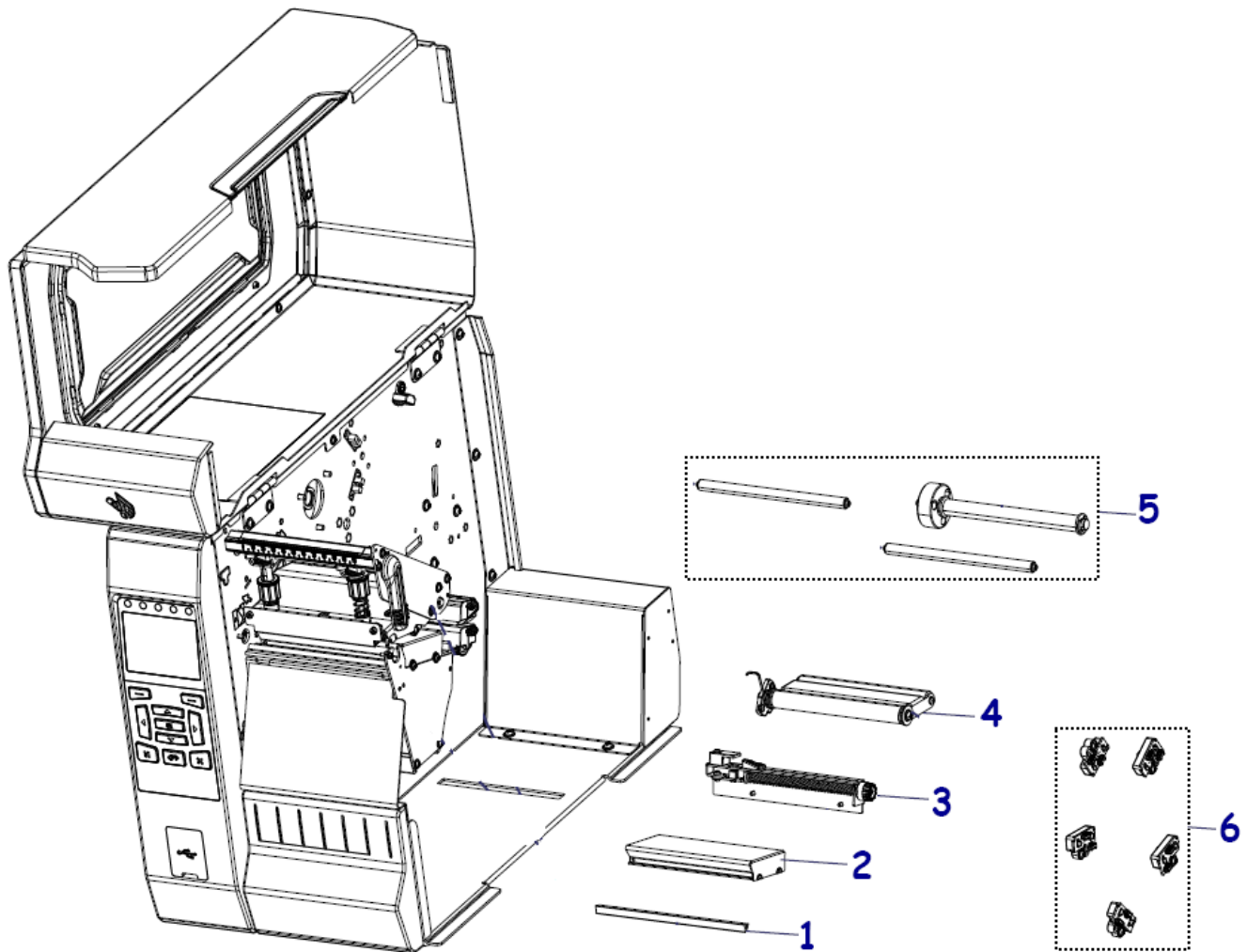
Item Number	Description	Part Number	Quantity
1	Ribbon Take Up Spindle ZT610	P1083320-068	1
1	Ribbon Take Up Spindle ZT620	P1083320-069	1
2	Ribbon Supply Spindle (standard spindle on all printers) ZT610	P1083320-129	1
2	Ribbon Supply Spindle (standard spindle on all printers) ZT620	P1083320-130	1
2	Inside Coated Ribbon Supply Spindle (optional field-installed spindle) ZT610	P1083320-131	1
2	Inside Coated Ribbon Supply Spindle (optional field-installed spindle) ZT620	P1083320-132	1
	Hardware for the Ribbon Supply Spindle (includes blades, springs, spring housing, nut, screws) ZT600 Series	P1083320-067	1
3	Media Supply Spindle for 3" ID Cores (standard spindle on all printers) ZT610	P1083320-060	1
3	Media Supply Spindle for 3" ID Cores (standard spindle on all printers) ZT620	P1083320-062	1
3	Media Supply Spindle for 40mm ID Cores (optional field-installed spindle) ZT610	P1083320-113	1
3	Media Supply Spindle for 40mm ID Cores (optional field-installed spindle) ZT620	P1083320-114	1
4	Media Supply Hanger (optional field-installed hanger) ZT610	P1083320-059	1
4	Media Supply Hanger (optional field-installed hanger) ZT620	P1083320-061	1



Zebra Technologies International, LLC

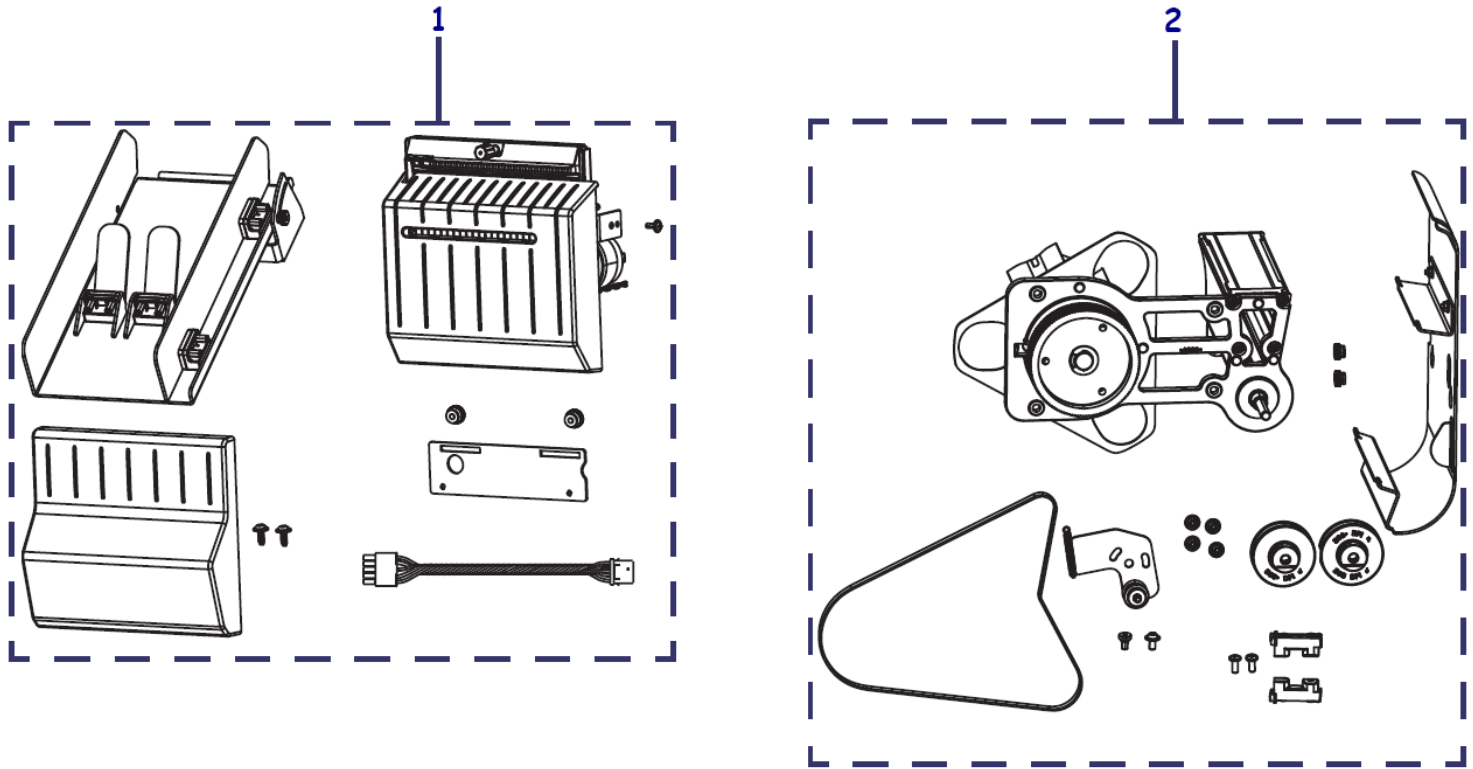
5	Replacement Media Rewind Spindle (includes bearing) ZT610	P1083320-070	1
5	Replacement Media Rewind Spindle (includes bearing) ZT620	P1083320-071	1

Media and Ribbon Path



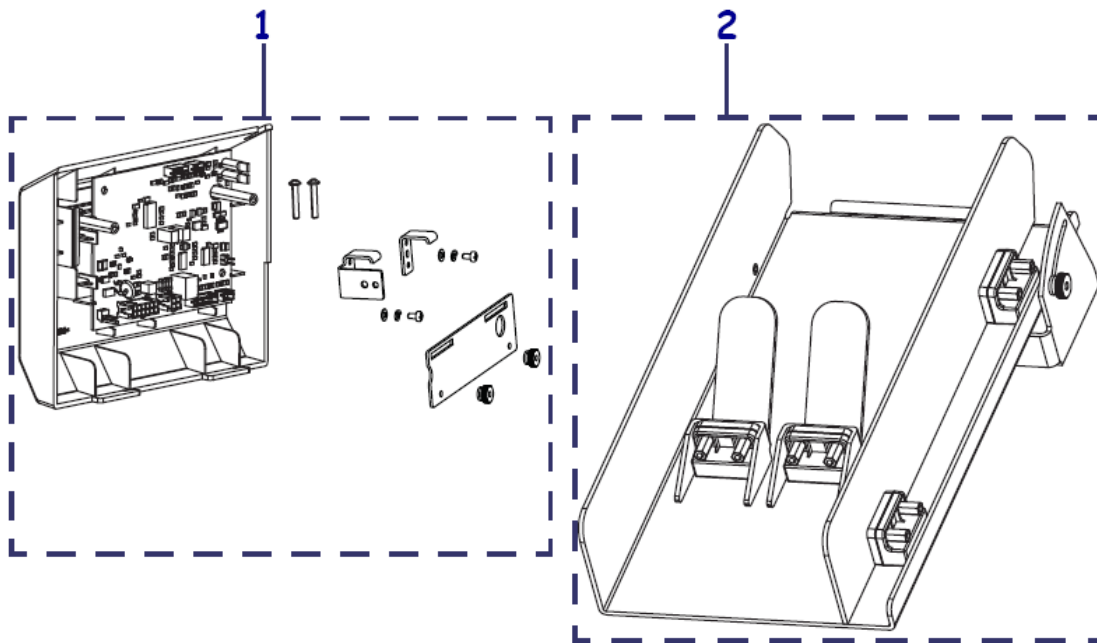
Item Number	Description	Part Number	Quantity
1	Peel/Tear Bar ZT610	P1083320-078	1
1	Peel/Tear Bar ZT620	P1083320-079	1
2	Media Support ZT610	P1083320-076	1
2	Media Support ZT620	P1083320-077	1
3	Media Guide Assembly ZT610 (includes black mark sensor)	P1083320-074	1
3	Media Guide Assembly ZT620 (includes black mark sensor)	P1083320-075	1
4	Media Dancer ZT610	P1083320-072	1
4	Media Dancer ZT620	P1083320-073	1
5	Ribbon Rollers ZT610	P1083320-080	1
5	Ribbon Rollers ZT620	P1083320-081	1
6	Lights for the Media and Ribbon Path ZT600 Series	P1083320-044	1

Media Handling Options



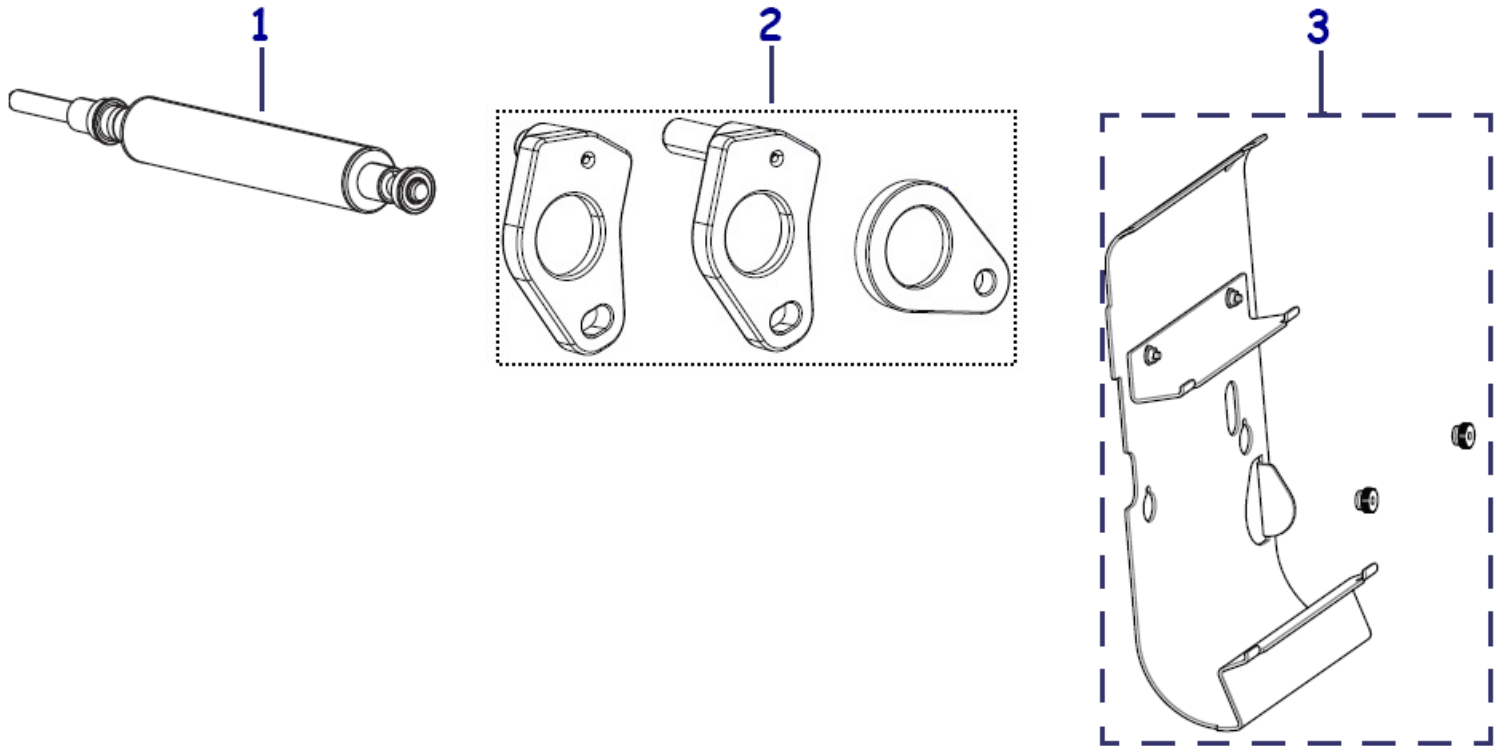
Item Number	Description	Part Number	Quantity
1	Cutter Upgrade ZT610	P1083320-134	1
1	Cutter Upgrade ZT620	P1083320-135	1
2	Media Rewind Upgrade ZT610	P1083320-084	1
2	Media Rewind Upgrade ZT620	P1083320-085	1

Cutter Replacement Parts



Item Number	Description	Part Number	Quantity
1	Cover with PCBA for the Cutter ZT610	P1083320-136	1
1	Cover with PCBA for the Cutter ZT620	P1083320-137	1
2	Catch Tray for the Cutter ZT610	P1083320-126	1
2	Catch Tray for the Cutter ZT620	P1083320-127	1
	Guard with Static Brush for the Cutter ZT610	P1066612	1
	Guard with Static Brush for the Cutter ZT620	P1066613	1

Media Rewind Replacement Parts



Item Number	Description	Part Number	Quantity
1	Rewind Roller ZT610	P1083320-103	1
1	Rewind Roller ZT620	P1083320-104	1
2	Retainers for Roller Bearings ZT600 Series	P1083320-034	1
3	Media Rewind Plate for Tear/Peel ZT610	P1083320-090	1
3	Media Rewind Plate for Tear/Peel ZT620	P1083320-091	1
	Replacement Media Rewind Spindle (includes bearing) ZT610	P1083320-070	1
	Replacement Media Rewind Spindle (includes bearing) ZT620	P1083320-071	1
	J Hook (Qty of 2) ZT610	P1006121	2
	J Hook (Qty of 2) ZT620	P1006123	2

Hardware

Item Number	Description	Part Number	Quantity
	Assorted Hardware ZT600 Series (screws, washers, nuts, etc....)	P1083320-096	1

Packing Materials for Printer Shipping

Item Number	Description	Part Number	Quantity
	Packaging Material Qty of 1 ZT610	P1083320-115	1
	Packaging Material Qty of 8 ZT610	P1083320-116	8
	Packaging Material Qty of 1 ZT620	P1083320-117	1